

Color Light Box T60(5)

TILO®

1. Display the usage time, name, and switching times of each light source.
2. The light source is automatically switched, with the function of metamerism.
3. No need to preheat, no flicker, can ensure fast and reliable color evaluation.
4. Low energy consumption, no heat (no need for heat dissipation), high luminous efficiency.
5. More complete configuration of common light sources in British and American standards.
6. The name of the light source can be changed, it is more convenient to add a light source.
7. It provides users with various standard light sources recognized by the International Commission on Illumination (CIE), complying with all major visual evaluation standards – including AS, ASTM, BSI, DIN, and ISO international standards such as: ISO 3664, ISO 3668, ISO 13076, ISO 23603, AATCC EP9, ASTM D1729, DIN 6173, CIE S 025/E, BS 950 Pt.2, etc.



APPLICATION INDUSTRY

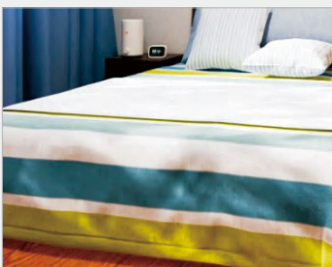


ISO9001

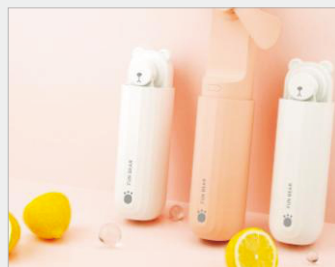


RoHS

T60 (5) is widely used in textile, toys, printing and dyeing, plastic, paint, ink, printing, pigment, chemical, ceramics, footwear, leather, hardware, food, cosmetics and other industries in the field of colour management, and accurately check the colour deviation



Textil



Toy



Pigment

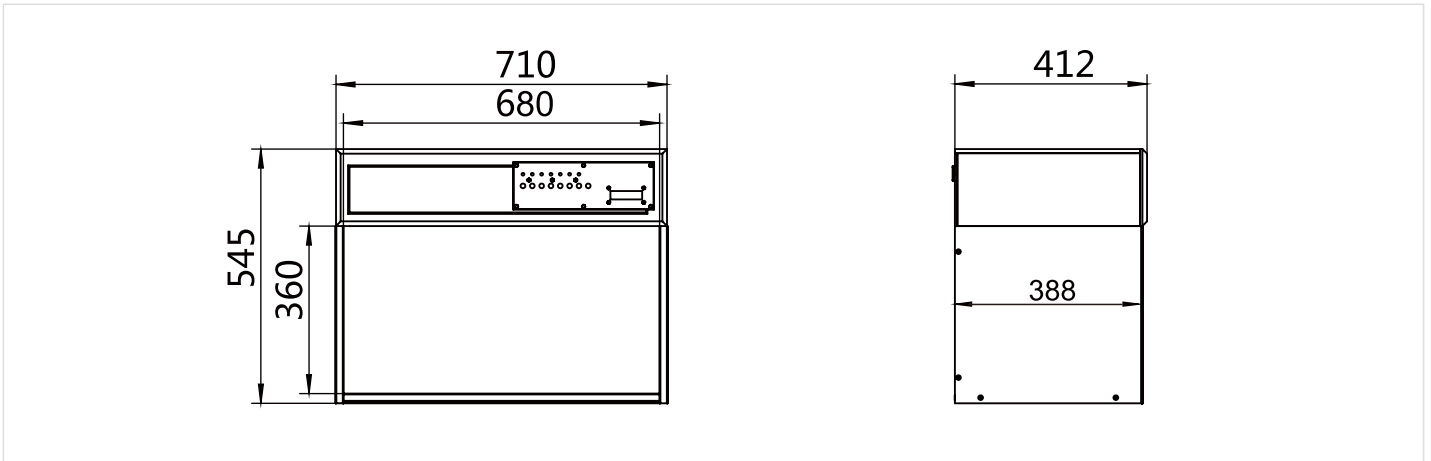


Paint&Ink

SIZE PARAMETERS

External dimensions: 710*412*545 mm(Length * Width * Height)

Internal dimensions: 680*388*360 mm(Length * Width * Height)



PRODUCT PARAMETERS

Project	Parameter
Allocation	D65 , TL84 , CWF , F , UV , Five light sources
Weight	22.25kg
Optional Accessory	45 degree standard stand

Light source

Name	Color temperature	Quantity and power	Lamp Type
D65	6500K	2x20W	Fluorescent Natural Daylight PHILIPS TL-D 18W/965
TL84	4000K	2x18W	Fluorescent PHILIPS TLD 18W/840
CWF	4150K	2x18W	Fluorescent PHILIPS TL-D 18W/33 COOL WHITE
UV	365nm	1x18W	Fluorescent PHILIPS 18W / BLB BLACK LIGHT
F	2700K	4x40W	Incandescent Mac color Lighting 40W 230v

Light source description

D65 International standard Artificial Daylight

TL84 Applied to stores in Europe, Japan and China

UV Viewing under ultraviolet light to detect and evaluate optical brighteners or fluorescent pigments

CWF (Cool White Fluorescent) American Standard

F "Sun-setting Light Yellow" incandescent light source(imitation of sunset)