

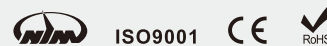
Color Light Box T60B

TILO®

1. Display the usage time, name, and switching times of each light source.
2. The light source is automatically switched, with the function of metamerism.
3. No need to preheat, no flicker, can ensure fast and reliable color evaluation.
4. Low energy consumption, no heat (no need for heat dissipation), high luminous efficiency.
5. More complete configuration of common light sources in British and American standards.
6. The name of the light source can be changed, it is more convenient to add a light source.
7. It provides users with various standard light sources recognized by the International Commission on Illumination (CIE), complying with all major visual evaluation standards – including AS, ASTM, BSI, DIN, and ISO international standards such as: ISO 3664, ISO 3668, ISO 13076, ISO 23603, AATCC EP9, ASTM D1729, DIN 6173, CIE S 025/E, BS 950 Pt.2, etc.



APPLICATION INDUSTRY



T60B is widely used in textile, toys, printing and dyeing, plastic, paint, ink, printing, pigment, chemical, ceramics, footwear, leather, hardware, food, cosmetics and other industries in the field of colour management, and accurately check the colour deviation



Textil



Toy



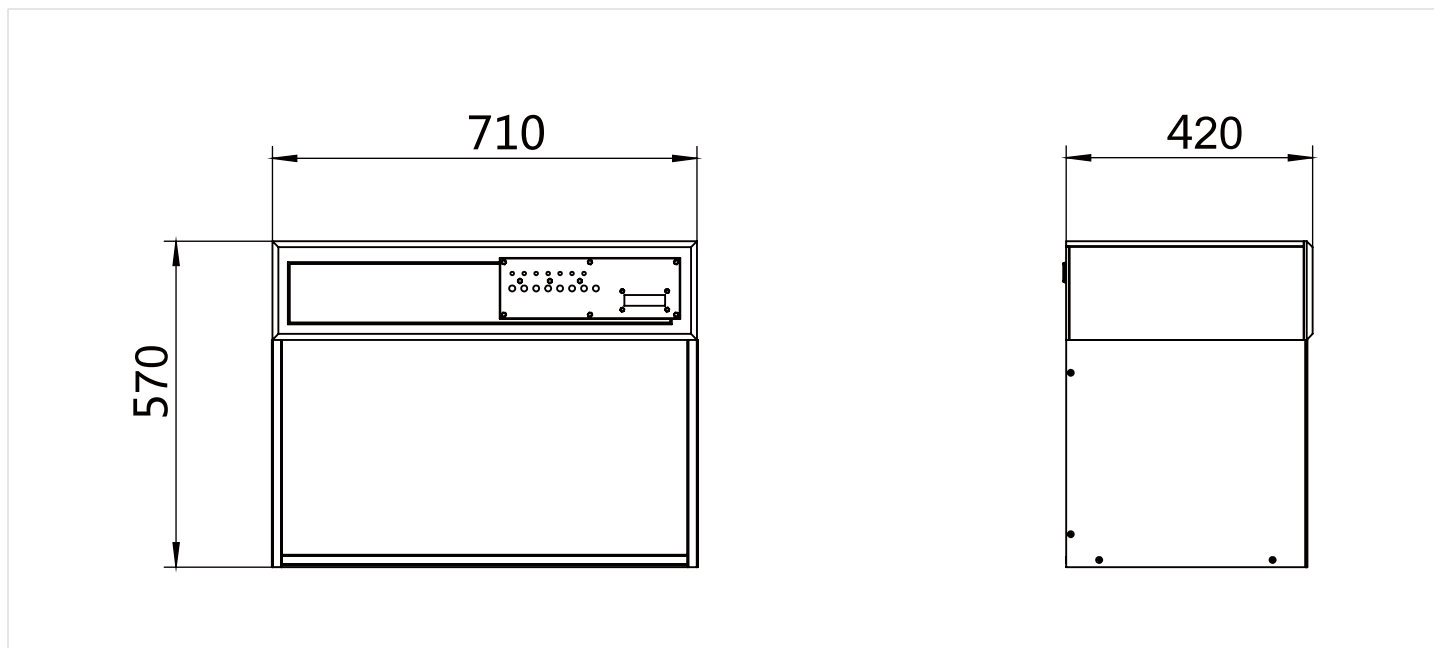
Pigment



Paint&Ink

PRODUCT SIZE

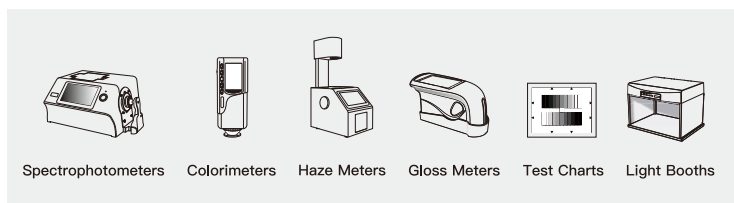
External dimensions:710*420*570 mm(Length * Width * Height)



PRODUCT PARAMETERS

Project	parameters		
Configuration	F, D65, TL84, UV, 4 Light sources		
Weight	22.25Kg		
Size(L*W*H)	710*405*570 mm		
Optional Accessory	45 degree standard stand		
Light source			
Name	Color temperature	Power	Quantity
F "Sun-setting Light Yellow" incandescent light source(imitation of sunset)	2700K	40W	x4 pcs
D65 International standard Artificial Daylight	6500K	18W	x2 pcs
TL84 Applied to stores in Europe, Japan and China	4000K	18W	x2 pcs
UV Viewing under ultraviolet light to detect and evaluate optical brighteners or fluorescent pigments	365nm	18W	x1 pcs

★ CONTACT US



Shenzhen Tilo Technology Co., Ltd.
GUANGDONG THREENH TECHNOLOGY CO.,LTD.

🌐 web:www.tilo.net

✉ Email:tilo@tilo.cn

☎ Tel:0086-020-82880288

📍 Add: 6-8th floors, Building B33, Low Carbon Headquarters Park, Xincheng Road No.400, Zengcheng District, Guangzhou, Guangdong Province, China